

**PLEASE CHECK WWW.MOLEX.COM FOR LATEST PART INFORMATION**

**Part Number:** **0353181020**  
**Status:** **Active**  
**Overview:** [minifit\\_jr](#)  
**Description:** 4.20mm (.165") Pitch Mini-Fit® Header, Dual Row, Right Angle, 10 Circuits, PA Polyamide (Nylon) 6/6 94V-2, White

**Documents:**

[3D Model](#) [Product Specification PS-35317-001 \(PDF\)](#)  
[Drawing \(PDF\)](#) [RoHS Certificate of Compliance \(PDF\)](#)

**Agency Certification**

CSA LR19980  
 UL E29179

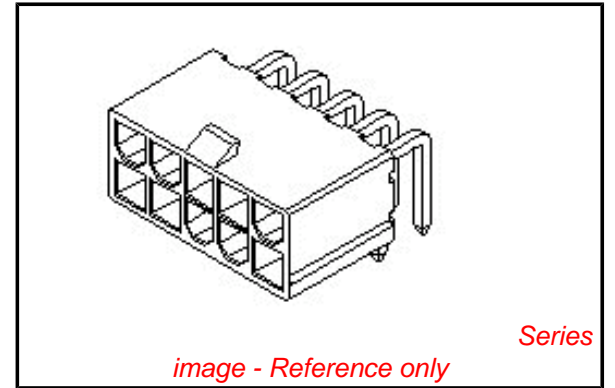
**General**

Product Family PCB Headers  
 Series [35318](#)  
 Application Wire-to-Board  
 Comments Current = 13A max. per circuit when header is mated to a receptacle loaded with [45750](#) Mini-Fit Plus HCS™ Crimp Terminal Crimped to to 16 AWG wire. . See Molex product specification PS-45750-001 for additional current de-rating information.

Overview [minifit\\_jr](#)  
 Product Name Mini-Fit®

**Physical**

Breakaway No  
 Circuits (Loaded) 10  
 Circuits (maximum) 10  
 Color - Resin Natural  
 Durability (mating cycles max) 30  
 First Mate / Last Break No  
 Flammability 94V-2  
 Glow-Wire Compliant No  
 Guide to Mating Part No  
 Keying to Mating Part None  
 Lock to Mating Part Yes  
 Material - Plating Mating Tin  
 Material - Plating Termination Tin  
 Material - Resin Nylon  
 Number of Rows 2  
 Orientation Right Angle  
 PC Tail Length (in) 0.157 In  
 PC Tail Length (mm) 4.00 mm  
 PCB Locator No  
 PCB Retention None  
 PCB Thickness Recommended (in) 0.062 In  
 PCB Thickness Recommended (mm) 1.60 mm  
 Packaging Type Bag  
 Pitch - Mating Interface (in) 0.165 In  
 Pitch - Mating Interface (mm) 4.20 mm  
 Plating min: Mating (µin) 200  
 Plating min: Mating (µm) 5  
 Plating min: Termination (µin) 200  
 Plating min: Termination (µm) 5



**EU RoHS**

**ELV and RoHS Compliant**  
**REACH SVHC**  
 Not Reviewed  
**Halogen-Free Status**

**China RoHS**



**Halogen-Free**

**Need more information on product environmental compliance?**

Email [productcompliance@molex.com](mailto:productcompliance@molex.com)  
 For a multiple part number RoHS Certificate of Compliance, [click here](#)

Please visit the [Contact Us](#) section for any non-product compliance questions.

**Search Parts in this Series**

[35318Series](#)

**Mates With**

[5557](#) Mini-Fit Jr.™ Receptacle Housing

Polarized to PCB	No
Shrouded	Partial
Stackable	No
Surface Mount Compatible (SMC)	No
Temperature Range - Operating	-40°C to +105°C
Termination Interface: Style	Through Hole

**Electrical**

Current - Maximum per Contact	13A
Voltage - Maximum	250V

**Material Info****Reference - Drawing Numbers**

Packaging Specification	PK-35318-001
Product Specification	PS-35317-001
Sales Drawing	SD-35318-****

This document was generated on 05/24/2010

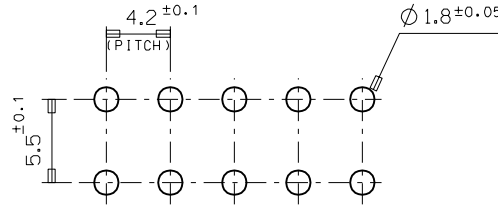
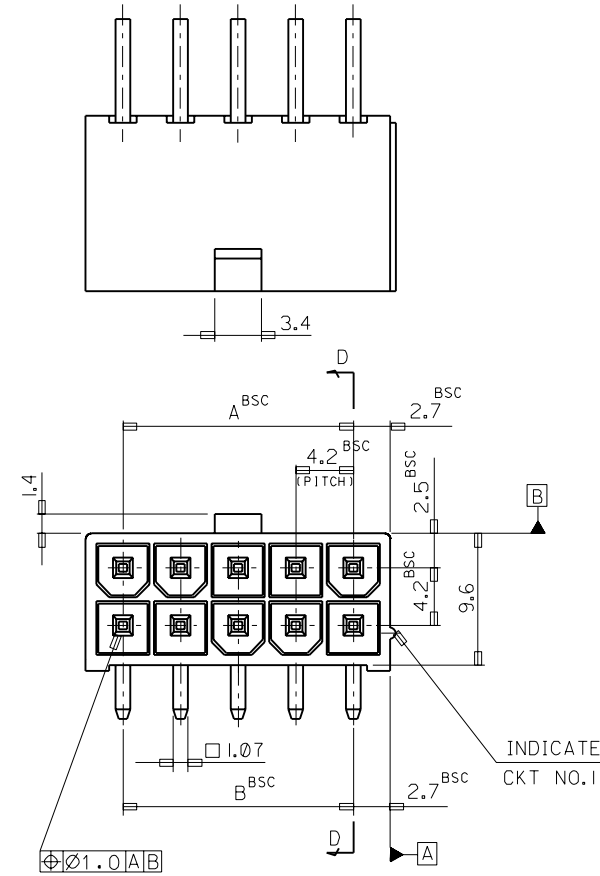
**PLEASE CHECK [WWW.MOLEX.COM](http://WWW.MOLEX.COM) FOR LATEST PART INFORMATION**

ENG. NO. SD-35318-\*\*\*\*

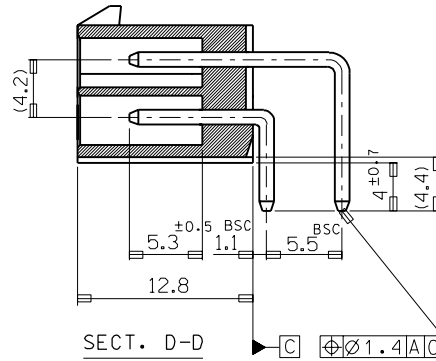
EDP NO. 35318-\*\*\*\*

SIMILAR ITEM

PROJECT NO.



RECOMMENDED P.C. BOARD PATTERN



SECT. D-D

NOTES

1. WHEN MATED WITH 5557-NR, 5557-NR-210 TO BE SURELY LOCKED.
2. MATERIAL: WAFER — NYLON66 UL94V-0  
NYLON66 UL94V-2  
PIN — BRASS (TIN PLATED)

LEGEND

35318 - \*\* \* \*  
 Ø: NATURAL  
 I: BLACK  
 1: NYLON66 UL94V-0  
 2: NYLON66 UL94V-2  
 CKT

46.2	46.2	35318	-24**	24
42.0	42.0		-22**	22
37.8	37.8		-20**	20
33.6	33.6		-18**	18
29.4	29.4		-16**	16
25.2	25.2		-14**	14
21.0	21.0		-12**	12
16.8	16.8		-10**	10
12.6	12.6		-08**	8
8.4	8.4		-06**	6
4.2	4.2	35318	-04**	4
A	B	ENG. NO.	CIRCUIT	

				MATERIAL		MOLEX MOLEX-KOREA CO., LTD.	
B	REVISED	96-022	96/2/26	GENERAL TOLERANCE DIMENSION : ± 0.3 ANGLE : ± 1°		DRAWN BY D. J. KIM	CHK'D BY
A	NEW RELEASED	94-074	94/12/20	DIMENSION CLASSIFICATION ▽ : CRITICAL ▼ : MAJOR ( ) : REFERENCE		APP'D BY	SCALE 3/1
1	REVISED	94-017	94/9/7	ASS'Y PART		TITLE: NEW MINI FIT CONN. R/A WAFER ASS'Y	
0	PRE-RELEASED		93/5/1	DESCRIPTION ENG. NO.		SHEET	
LTR	REVISION RECORD	ECN	DATE	REVISE ONLY ON CAD SYSTEM		ENG. NO. SD-35318-****	REV B